



Finishing Unit/Oven Plug Information

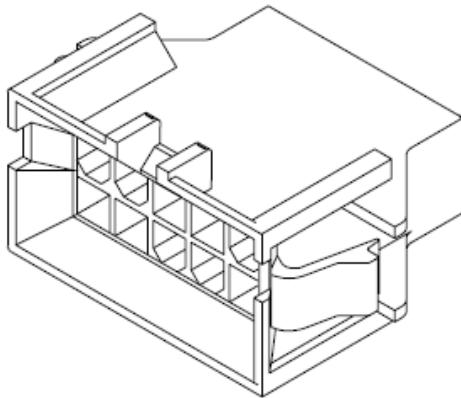
The 10-pole connector on the Left frame member (Power for curing lamps) is **Part # 10011129, Connector, Molex, 10-pole**

The 4-pole connector for the temperature sensor (curing oven) is **Part # 10011128, Connector, Molex, 4-pole**

The Male Pins inside are **Part # 36028, Terminal, Crimp, Male.**

The curing Power connector requires 9 male pins/terminals and the other 4-pole connector requires 2 each the same male pin/terminals (36028).

Dual Row With Panel Mount Ears



Crimp, Male

