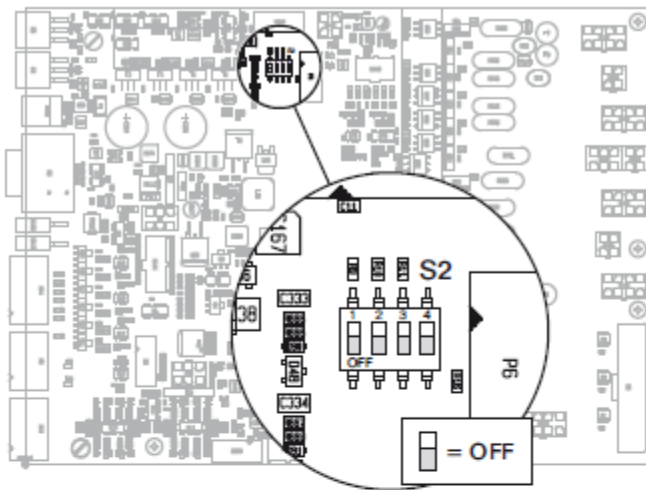


Power Control Unit (PCU) Replacement on an iCtP

The new PCU is configured with settings for S2 switches as illustrated below:

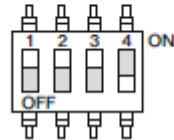


Please note how S2 is set on the board that is due to replacement. Set S2 on the new board exactly the same way.

When replacing the PCU on an iCtP PlateWriter it should be configured for the stand alone setting.

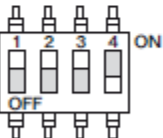
Default settings for PCU PCB "stand-alone":

"Stand-alone" PCU is normally when electronics hold this major PCB only.



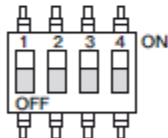
Default settings for PCU PCB "stand-alone":

"Stand-alone" PCU is normally when electronics hold this major PCB only.



Default settings for PCU PCB "slave":

A "slave" PCU supplies power for multiple PCBs.



Load the software.
See the separate "Software Installation PCU PCB" instruction (part no 10055523 for plate processor resp. part no 10061425 for iCtP).
Download software and instruction from www.glunz-jensen.com/support resp. www.platewriter.com.

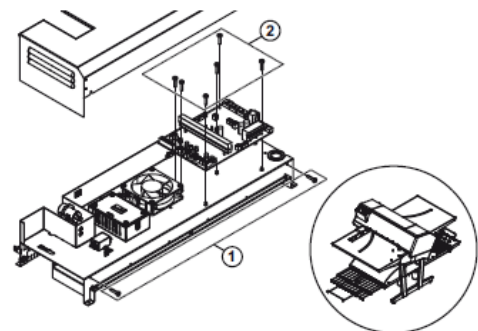
No Software is needed.

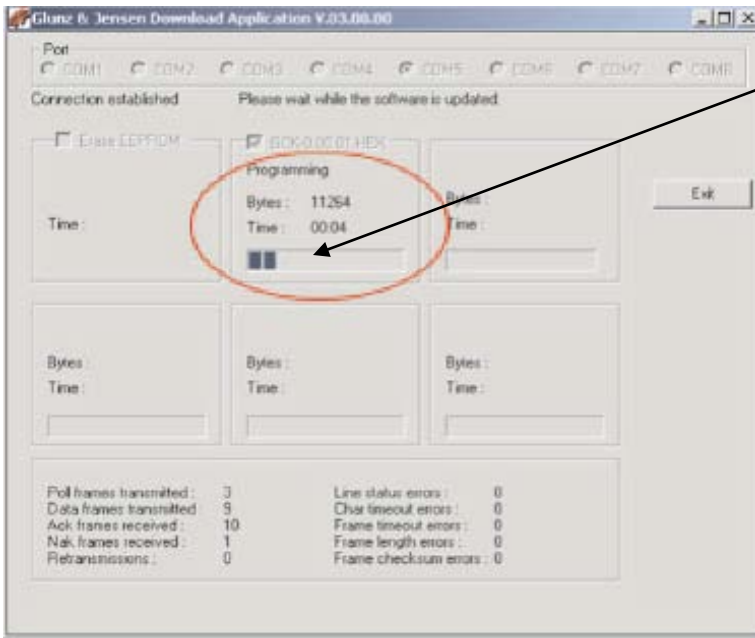
Reinstall all covers, panels and fenders.

Connect power to the processor/finishing unit and switch it on.

iCtP

- ① 2 SCREWS, CABINET LID
USE EXISTING SCREWS
- ② 6 SCREWS
USE EXISTING SCREWS





If you don't see any progress on the progress bar and it seems like it is not communicating the PCU can be forced to stay in the boot loader mode (where the FW download is handled) Do so by setting dip switch S2 switch #4 to off. Then power on, do the download, switch off, set dip switch back.

This shows switch 4 in the **on** position

