

# PlateWriter 3000, Pressurizing Unit

Part # 10093319, Pump, Pressure

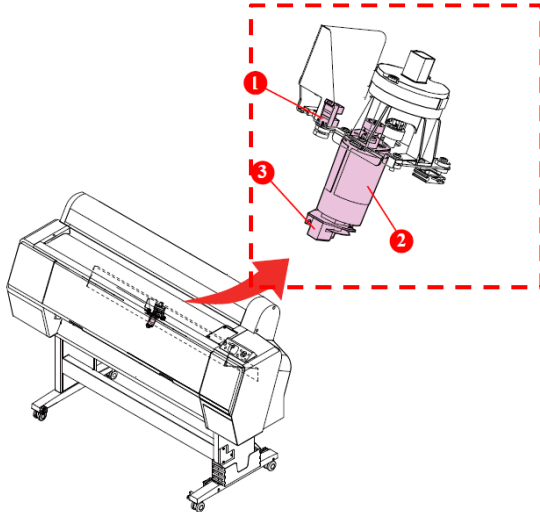


Figure 2-8. Pressurizing Unit

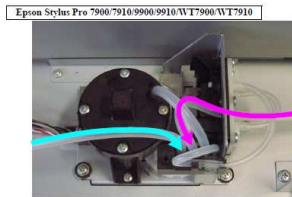
Diagram	Name	Description
1	Pressure Sensor	A transmissive photo interrupter to detect the pressurizing status. It detects the status of the actuator which operates when the pressure reaches up to the specified amount.
2	Pressurizing Pump Motor	Supplies air to pressurize the ink pack. A DC motor with an encoder scale mounted on it is employed.
3	Pressurizing Pump Motor Encoder	Detects patterns of the scale attached on the motor to control the rotation of the Pressurizing Pump Motor.

**Note!** Please refer to the Epson 7700 Service Manual for step by step instructions.

1. Remove the Rear Cover. (p210)



In the next step, confirm the destination of the Pressure Tubes so as to restore the original routing when reassembling.



2. Disconnect the two Pressure Tubes from the Pressurizing Unit.

*NOTE:* In Epson Stylus Pro 7700/7710/7700M/7710M/9700/9710's case, disconnect only the Pressure Tube shown in Figure 4-123.

3. Remove the three screws that secure the Pressurizing Unit.

A) Silver, Phillips, Bind S-tite with S.W & P.W. M3x10: three pieces

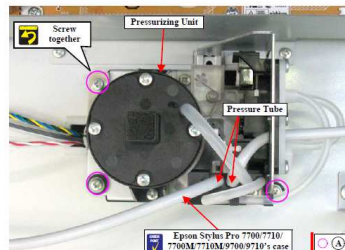


Figure 4-123. Removing the screws securing the Pressurizing Unit



Secure the Pressurizing Unit together with the grounding plate using the same screw shown in the figure.

4. Hold up the Pressurizing Unit, and release the harness from the clamp and the cable retainer.

5. Disconnect the two connectors, and remove the Pressurizing Unit.



Be sure to refer to Chapter 5 "Adjustment" (see p335) and perform specified adjustments after replacing the Pressurizing Unit.

- <Adjustment Item>
1. Counter Clear (Pressure Motor)

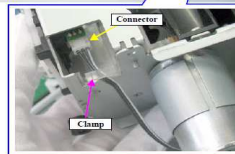
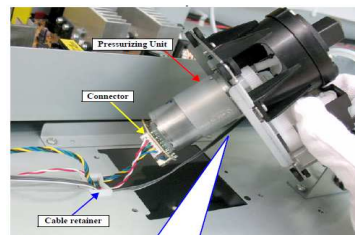


Figure 4-124. Removing the Pressurizing Unit